

WH 2000

Alluminium alloy structure

Ratio 38:1 - Reduction unit with worm wheel and irreversible worm-screw.

(Reverse motion is possible only when the operator acts on the relevant controls, therefore no brake is required).

Manual clutch for drum engagement – disengagement

Direct line pull force (as measured by spring scale gauge): 2000 kg at the 1st rope layer

Towing capacity: 6000 kg at the 1st rope layer

Recommended rope length: ø8mm; max 35m+60m, depending on the drum version.

Zinc-plated steel fairlead rollers

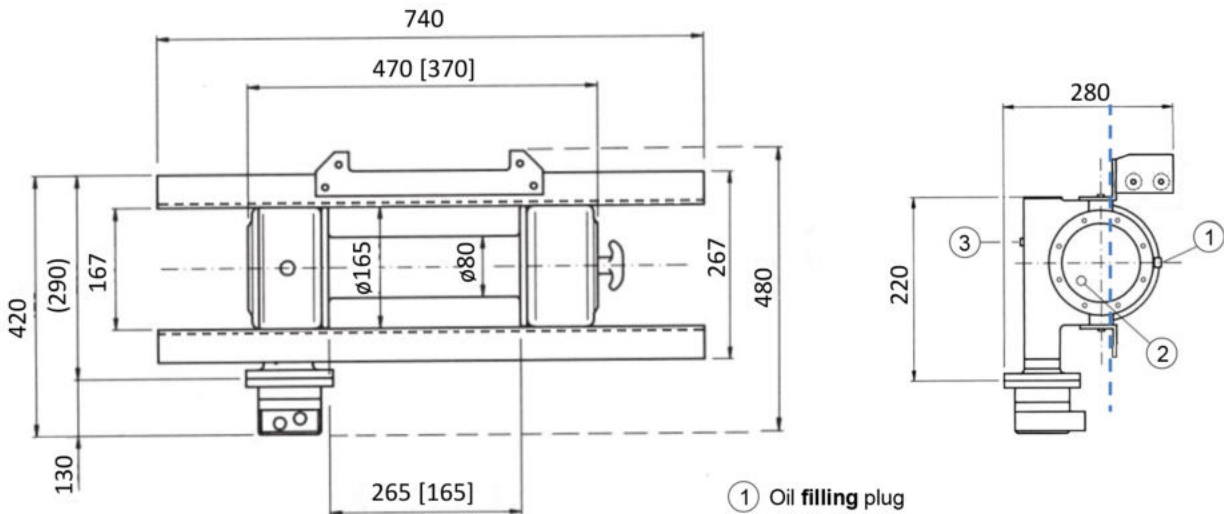
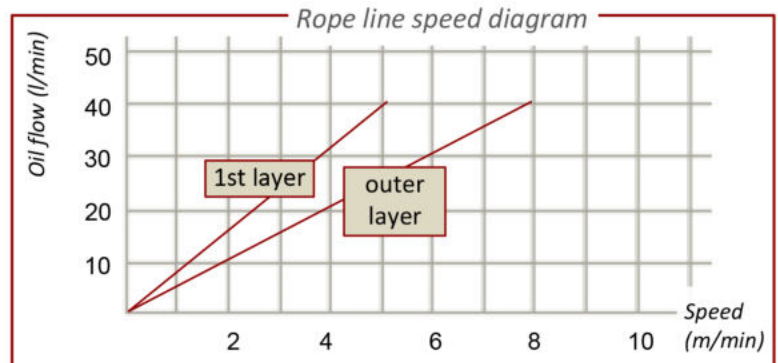
Total weight w/out rope: 34 kg

Max P (relief valve adj.):

140 bar

Suggested flow to motor:

40 l/min



Dimensions of the standard version

[dimensions of the short-drum version]

ROPE LAYER	DIRECT LINE PULL	TOWING * CAPACITY	ROPE LENGTH
1°	2020 kg	6060 kg	8,32m [5,18m]
2°	1680 kg	5040 kg	18,31m [11,39m]
3°	1440 kg	4320 kg	29,96m [18,64m]
4°	1260 kg	3780 kg	43,27m [26,93m]
5°	1120 kg	3360 kg	58,25m [36,26m]
Max capacity of spooled rope: 60m ø8mm [35m]			

* = Pulling capacity (estimated weight of the vehicle to be towed on a flat surface, free wheels) uses to be about 3 times as the direct line pull as measured by spring scale.